

Intended
Application:

Portable hole digging equipment is used as an alternative method to manual labor and/or larger, mounted earth drilling machinery. This Hole Digger is designed for one man operation only. Do not attempt to utilize this Hole Digger with more than one operator.

Before Starting the Engine

1) This Hole Digger utilizes an all-position, four stroke engine. Fill the crankcase with SAE 10W30 oil for operation in ambient temperatures of less than 95°F. Use unleaded gasoline.

2) Secure the auger to the Hole Digger with the factory supplied pin (E). Install the safety retaining pin to secure the auger pin (F).

Starting the Hole Digger with the Auger Attached

1) Place the Hole Digger on the desired location.

2) The Hole Digger is designed for the ignition switch, choke control, recoil starter and primer to be operated by the left hand, with the right hand operating the engine throttle control. Proper machine configuration will place the engine muffler opposite and exhausting away from the operator.

3) Turn the **ignition ON/OFF switch (A)** to the **ON** position.

4) Cold start: move the **choke control lever (B)** LEFT (sideways) to the closed position. Pump the **primer bulb (C)** 7 to 10 times to feed fuel to the carburetor. Warm start: move choke lever to half open or fully open position. Prime as necessary.

5) The engine will normally start without opening the twist grip throttle control. Keep the right hand on the throttle control at all times.

6) Using the left hand, pull the **recoil starter handle (D)** slowly until engine compression is felt, then pull swiftly. Do not pull the rope out to its stop. Allow the rope to fully retract while still holding the handle.

7) After engine starts, move **choke control lever (B)** RIGHT (sideways) to fully opened position.

8) To **STOP** engine, reduce engine speed to idle position, turn **engine ignition ON/OFF switch (A)** to the **OFF** position.

Understanding Kickback

Kickback describes a sharp, pulsating movement of the Hole Digger handle in a counterclockwise direction against the left side of the operator. It is an inherent operating characteristic.

1) Kickback occurs whenever the auger contacts a buried obstruction. Assume it will occur while digging every hole.

2) Keep the operator handle as close to the body as possible. Maintain full control and alertness while digging.

3) Loss of control: push yourself free and clear. Do not attempt to grasp the handle if the Hole Digger is spinning.

To Add an Auger Extension

1) Dig to the full depth of the auger. Remove as much loose soil from the auger as possible with the auger rotating at a slow speed.

2) Release the throttle control and turn the engine **ignition ON/OFF switch (A)** to the **OFF** position. Remove the Hole Digger and auger from the hole.

3) Disconnect the spark plug wire. Remove the Hole Digger from the auger. Place the auger back in the hole.

4) Connect the auger extension to the auger with the factory supplied pin assembly (G). Connect the Hole Digger to the auger extension. Reconnect the spark plug wire.

5) Start the Hole Digger. Dig to the desired depth.

Storage on the Job Site

There are three acceptable methods for storing the Hole Digger on the job site. For each method, first determine the fuel tank cap is tightly secured to the fuel tank and does not leak.

1) Disconnect the auger from the Hole Digger.

2) Dig a shallow hole to a depth which will properly support the Hole Digger and auger.

3) Lay the Hole Digger and auger down against the operator handle with the engine muffler facing up.

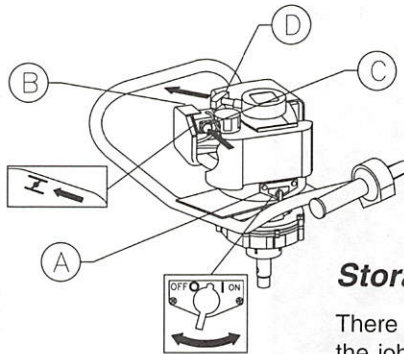
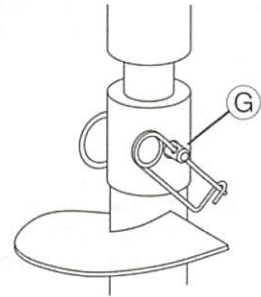
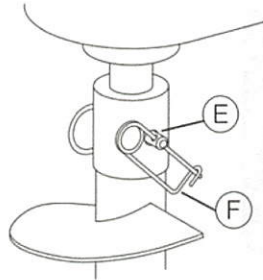
Questions or problems?

Contact your dealer for assistance.

Need more information?

Quik-TipsSM is intended as abbreviated operating instructions and is provided solely as a customer service. This information is not intended to replace the appropriate Operator Manual. Read the appropriate Operator Manual and view the safety and operational video BEFORE operating the Hole Digger. If you require a manual, it can be obtained from the LIBRARY section at www.generalequip.com. Available safety and operational information videos can be selected in the Video Resources section located on the homepage at www.generalequip.com. Call 811 BEFORE digging. Visit www.call811.com. If you require assistance during the use of this product, contact your local dealer or our Customer Service Department: 800.533.0524. Telefax: 877.344.4375. Email: general@generalequip.com. After hour technical support: 507.363.1033. Visit our website: www.generalequip.com for additional information.

Reorder from General Equipment Company
Form: GEF19120501 V2.1
(Tablet of 25 sheets)



240H Hole Digger

Safety Practices:

- Operation is strenuous work. Operators must be in proper physical condition, mental health and not under the influence of any substance which might impair vision, dexterity or judgment. Check with your doctor BEFORE operation.
- Clothing must be sturdy and snug fitting, but allow complete freedom of movement. Wear sturdy leather boots with nonslip soles; heavy duty, nonslip gloves and hearing/eye protection. Wear a safety hard hat as required.
- Always assume the digging location contains buried underground obstructions. Contact appropriate representatives to determine if/where electrical cables, gas lines and other hazardous objects are buried BEFORE operation.
- Know how controls operate. Know how to stop the engine in an emergency.
- Always operate the Hole Digger with the correct number of operators.
- Start and operate the Hole Digger only in a well ventilated area. Carbon Monoxide fumes from the engine are poisonous.
- Do not operate with onlookers close by. Caution all onlookers to stand clear.
- Keep all foreign objects clear of the rotating auger.
- Never attempt to "ream out" an existing, smaller hole with a larger diameter auger.
- To minimize the effects of kickback, operate the Hole Digger while assuming the proper operator position. Operate only when/where visibility and light are adequate for the job at hand.
- Stop the engine between each hole to minimize the possibility of property damage and/or personal injury. Normal operation is on level surfaces.
- Contact with a hot engine muffler and heat shield can cause property damage and/or personal injury. Remain clear of hot engine muffler and heat shield.

Proper Operator Position



Improper Operator Positions



- Improper leg positions. Move left foot forward of right foot. Keep legs at a comfortable distance apart.
- Handle too far from upper body.
- Arms too far from upper body.



- Improper leg positions.
- Operator leaning too far over machine. Operator position will not allow proper reaction and control in the event of kickback.

• Assume the digging location is filled with buried obstructions.

• Position Hole Digger with engine muffler facing away from operator. Start engine with left hand. Operate engine throttle control with right hand.

• Grasp operator handle firmly.

• Position left foot forward of right foot at a comfortable distance apart.

• Keep left side of handle as close to waist/leg/arms as possible to maximize leverage and control.

• Keep arms as close to upper body as possible to minimize stress.

• Keep back as vertical as possible while digging to minimize stress.

• Bend legs as needed while digging to minimize stress.

General
EQUIPMENT COMPANY

620 Alexander Dr. S.W. • P.O. Box 334
Owatonna, Minnesota 55060
507.451.5510 Voice • 507.451.5511 Fax
www.generalequip.com

